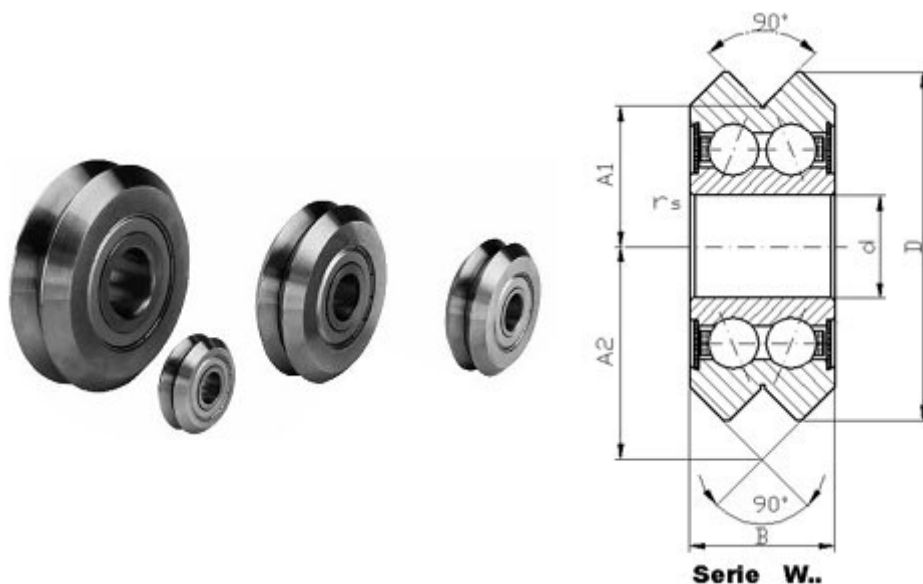




## Track Rollers series GW...W Guide Wheels



Guide Wheel No.	Weight	Dimensions (mm)						Load Ratings	
		≈(g)	d	D	B	A1	A2	rs	Cw (KN)
W1	11	4.763	19.56	7.87	7.93	11.86	0.3	2.2	1
W1X	11	4.763	19.56	7.87	7.93	11.86	0.3	2.2	1
W2	38	9.525	30.73	11.1	12.7	18.24	0.3	4.9	2.5
W2X	38	9.525	30.73	11.1	12.7	18.24	0.3	4.9	2.5
W3	130	12	45.72	15.88	19.05	26.98	0.6	9.4	4.9
W3X	130	12	45.72	15.88	19.05	26.98	0.6	9.4	4.9
W4	280	15	59.94	19.05	25.4	34.93	1	14.8	8.2
W4X	280	15	59.94	19.05	25.4	34.93	1	14.8	8.2
W4XL	580	22	75.39	25.4	31.75	44.45	1.1	20.6	14.3
W4XXL	580	22	75.39	25.4	31.75	44.45	1.1	20.6	14.3
W1SSX	11	4.763	19.56	7.87	7.93	11.86	0.3	2.2	1
W2SSX	38	9.525	30.73	11.1	12.7	18.24	0.3	4.9	2.5
W3SSX	130	12	45.72	15.88	19.05	26.98	0.6	9.4	4.9
W4SSX	280	15	59.94	19.05	25.4	34.93	1	14.8	8.2

All dimensions are subject to change without notice.

**HEC Engineering Components Limited**

Tel: 0086-571-28809660  
Website: www.hzhec.com

Fax: 0086-571-28809669  
E-mail: hecsales@vip.163.com