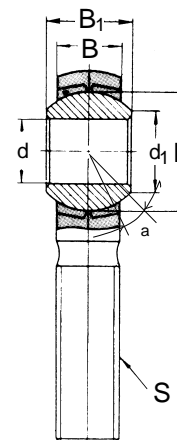
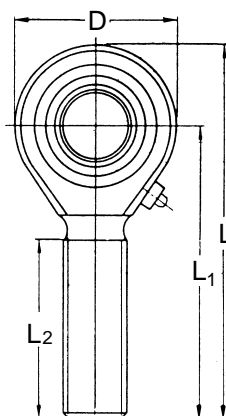




Rod End Male Type



- Insertion type
- With grease nipple
- Male thread
- Material: Body: Low carbon steel, heat treated, nickle plated
Ball: Chromium steel GCr15, heat treated, hard chrome plated
Insert: Copper alloy

Ordering example:

POS = metric size
ARE = imperial size
L = left hand thread
add to P/N eg. POS-5-L

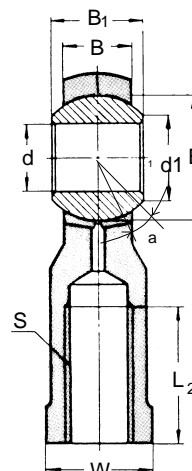
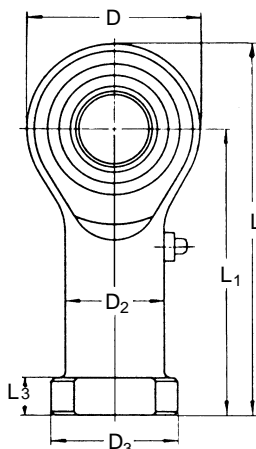
Part No.	Dimensions(mm)										Load Rating KN		Wt. (g)
	d	D	B ₁	B	S	L ₁	L ₂	L	d ₁	≈ a°	Dynamic	Static	
POS5	5	16	8	6	M5X0.8	33	20	41	7.7	13	3.3	3.9	12.5
POS6	6	18	9	6.75	M6x1	36	22	45	9	13	4.3	5.3	19
POS8	8	22	12	9	M8x1.25	42	25	53	10.4	13	6.8	8.5	32
POS10	10	26	14	10.5	M10x1.5	48	29	61	12.9	13	10	11	54
POS12	12	30	16	12	M12x1.75	54	33	69	15.4	13	13	14	85
POS14	14	34	19	13.5	M14x2	60	36	77	16.9	13	17	20	126
POS16	16	38	21	15	M16x2	66	40	85	19.4	13	21	25	185
POS18	18	42	23	16.5	M18x1.5	72	44	93	21.9	13	26	30	260
POS20	20	46	25	18	M20x1.5	78	47	101	24.4	13	31	35	340
POS22	22	50	28	20	M22x1.5	84	51	109	25.8	13	38	43	435
POS25	25	60	31	22	M24x2	94	57	124	29.6	13	47	65	650
POS28	28	66	35	25	M27x2	103	62	136	32.3	13	59	77	875
POS30	30	70	37	25	M30x2	110	66	145	34.8	13	63	86	1070
ARE4	1/4"	18	9	7	UNF-28	36	22	45	9	12.7	460	270	19
ARE5	5/16"	22	12	9	UNF-24	42	25	53	10.4	15.88	840	430	36
ARE6	3/8"	26	14	10.5	UNF-24	48	29	61	12.9	19.05	1340	630	60
ARE8	1/2"	30	16	12	UNF-20	54	33	69	15.4	22.23	1650	800	89
ARE10	5/8"	38	21	15	UNF-18	66	40	85	19.4	28.58	2470	1290	181
ARE12	3/4"	46	25	18	UNF-16	78	47	101	24.4	34.93	3460	1890	333

HEC Engineering Components Limited

Tel: 0086-571-28809660 Fax: 0086-571-28809669
Website: www.hzhec.com E-mail: hecsales@vip.163.com



Rod End Female Type



- Insertion type
- With grease nipple
- Female thread
- Material: Body: Low carbon steel, heat treated, nickle plated
Ball: Chromium steel GCr15, heat treated, hard chrome plated
Insert: Copper alloy

Ordering example:

- PHS = metric size
- AR = imperial size
- L = left hand thread
- add to P/N eg. PHS-5-L

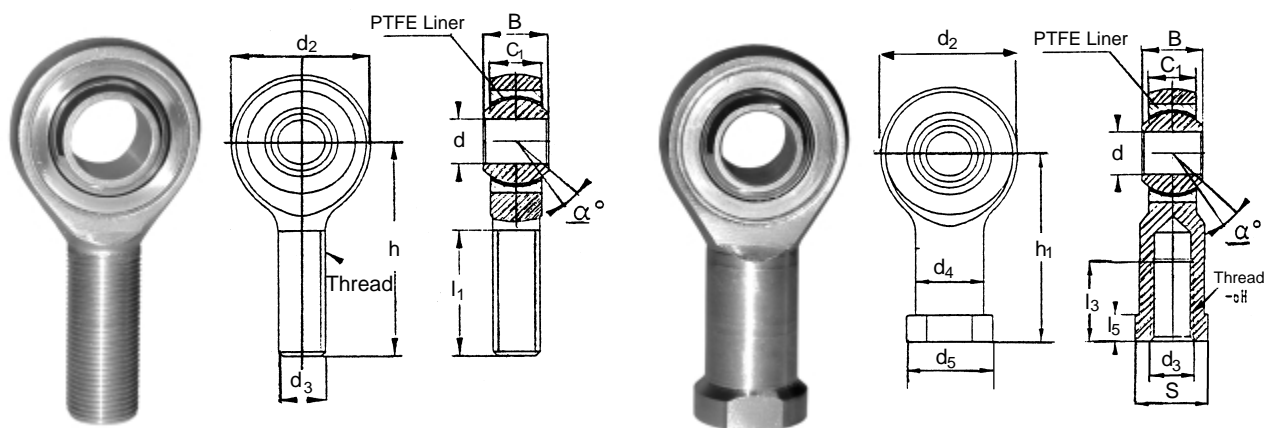
Part No.	Dimensions(mm)														Load Rating KN		Wt. (g)
	d	D	B ₁	B	W	S	D ₂	D ₃	L ₁	L ₂	L	L ₃	d1	≈ a°	Dynamic	Static	
PHS5	5	16	8	6	9	M5X0.8	9	11	27	14	35	4	7.7	13	3.3	3.9	16
PHS6	6	18	9	6.75	11	M6x1	10	13	30	14	39	5	9	13	4.3	5.3	26
PHS8	8	22	12	9	14	M8x1.25	12.5	16	36	17	47	5	10.4	13	6.8	8.5	44
PHS10	10	26	14	10.5	17	M10x1.5	15	19	43	21	56	6.5	12.9	13	10	11	72
PHS12	12	30	16	12	19	M12x1.75	17.5	22	50	24	65	6.5	15.4	13	13	14	108
PHS14	14	34	19	13.5	22	M14x2	20	25	57	27	74	8	16.9	13	17	20	161
PHS16	16	38	21	15	22	M16x2	22	27	64	33	83	8	19.4	13	21	25	225
PHS18	18	42	23	16.5	27	M18x1.5	25	31	71	36	92	10	21.9	13	26	30	295
PHS20	20	46	25	18	30	M20x1.5	27.5	34	77	40	100	10	24.4	13	31	35	382
PHS22	22	50	28	20	32	M22x1.5	30	37	84	43	109	12	25.8	13	38	43	488
PHS25	25	60	31	22	36	M24x2	33.5	42	94	48	124	12	29.6	13	47	65	749
PHS28	28	66	35	25	41	M27x2	37	46	103	53	136	12	32.3	13	59	77	949
PHS30	30	70	37	25	41	M30x2	40	50	110	56	145	15	34.8	13	63	86	1130
AR4	1/4"	18	9	7	11	UNF-28	10	13	30	14	39	5	9	12.7	690	270	26
AR5	5/16"	22	12	9	14	UNF-24	12.5	16	36	17	47	5	10.4	15.88	990	430	45
AR6	3/8"	26	14	10.5	17	UNF-24	15	19	43	21	57	6.5	12.9	19.05	1340	630	76
AR8	1/2"	30	16	12	19	UNF-20	17.5	22	50	24	66	6.5	15.4	22.23	1650	800	114
AR10	5/8"	38	21	15	22	UNF-18	22	27	64	33	83	8	19.4	28.58	2470	1290	200
AR12	3/4"	46	25	18	30	UNF-16	27.5	37	77	40	100	10	24.4	34.93	3460	1890	372

HEC Engineering Components Limited

Tel: 0086-571-28809660 Fax: 0086-571-28809669
 Website: www.hzhec.com E-mail: hecsales@vip.163.com



Stainless Steel Rod Ends Metric - Maintenance Free



Male - POS...SS

Female - PHS...SS

Part No.		Dimensions in mm													α°	Radial Static Load (KN)		
Male	Female	d	B	C ₁ max	d ₂ max	d ₃ Thread	Male		Female							S	Male	Female
							h	l ₁ min	h ₁	l ₃ min	d ₄ max	d ₅ max	l ₅ max					
POS 6 SS	PHS 6 SS	6	9	7.5	20	M6X1	36	21	30	9	10.0	13	5	10	9	4.6	8.7	
POS 8 SS	PHS 8 SS	8	12	9.5	24	M8X1.25	42	25	36	12	12.5	16	5	13	12	8	12	
POS 10 SS	PHS 10 SS	10	14	11.5	30	M10X1.5	48	28	43	15	15.0	19	6.5	16	10	13	20	
POS 12 SS	PHS 12 SS	12	16	12.5	34	M12X1.75	54	32	50	18	17.5	22	6.5	18	12	20	24	
POS 16 SS	PHS 16 SS	16	21	15.5	42	M16X2	66	37	64	24	22.0	27	8	24	14	33		
POS 20 SS	PHS 20 SS	20	25	18.5	50	M20X1.5	78	45	77	30	27.5	34	10	30	14	44		

Tolerances in Millimeters

Bore Diam. (mm)	d H7
6	+0.012 0
8,10	+0.015 0
12	+0.018 0
16	+0.018 0
20	+0.021 0

Specifications:

Body: Stainless steel
Race: Stainless steel, PTFE Liners bonded to I.D.
Ball: AISI 440C stainless steel, heat treated
PTFE = poly tetra fluoro ethylene - self lubricating

Left Hand Thread:

Add "L" to prefix to indicate left hand thread
eg. POS 6 L SS

HEC Engineering Components Limited

Tel: 0086-571-28809660
Website: www.hzhec.com

Fax: 0086-571-28809669
E-mail: hecsales@vip.163.com



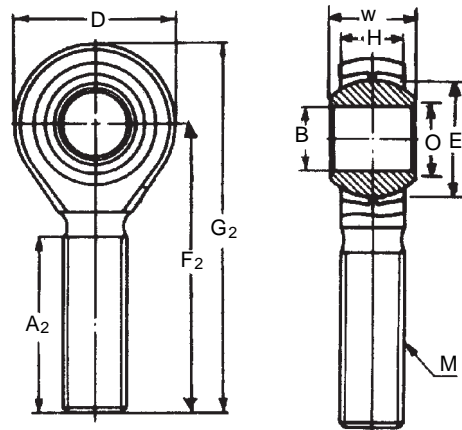
Stainless Steel Rod Ends

Inch sizes

Male & Female

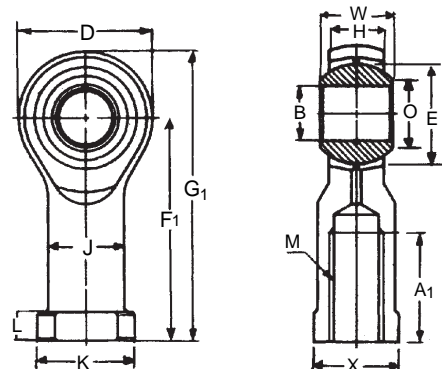
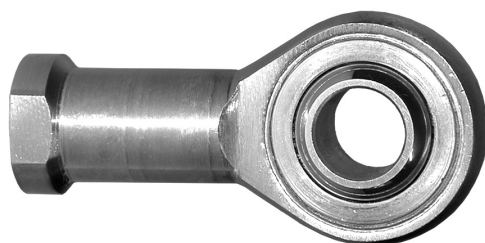
Right & Left

Material: Housing: SS304
 Ball: SS440C heat treated-bonded to housing by PTFE liner
 PTFE = poly tetra fluoro ethylene- self lubricating



Male Rod End - Right Hand Thread

Male Part No.	B	W	H	O	D	F2	G2	A2	E	Thread M	Maximum static load kg.f		Approx. Wt. gm.
											Radial	Axial	
PIM 3/16 SS	.1900	.312	.250	.306	.625	1.250	1.563	.750	.4375	.1900 UNF-32	306	215	14
PIM 1/4 SS	.2500	.375	.281	.355	.750	1.562	1.937	1.000	.5156	.2500 UNF-28	453	272	23
PIM 5/16 SS	.3125	.437	.344	.447	.875	1.875	2.312	1.250	.6250	.3125 UNF-24	771	408	37
PIM 3/8 SS	.3750	.500	.406	.517	1.000	1.938	2.438	1.250	.7187	.3750 UNF-24	1270	589	55
PIM 7/16 SS	.4375	.562	.437	.586	1.125	2.125	2.688	1.375	.8125	.4375 UNF-20	1610	748	78
PIM 1/2 SS	.5000	.625	.500	.698	1.312	2.438	3.094	1.500	.937	.5000 UNF-20	2041	1065	123
PIM 5/8 SS	.6250	.750	.562	.839	1.500	2.625	3.375	1.625	1.125	.6250 UNF-18	2449	1270	186
PIM 3/4 SS	.7500	.875	.687	.978	1.750	2.875	3.750	1.750	1.312	.7500 UNF-16	3458	1814	295



Female Rod End - Right Hand Thread

Female Part No.	B	W	H	O	D	R	G1	A1	K	X	J	L	E	Thread M	Maximum static load kg.f		Approx. Wt. gm.
															Radial	Axial	
PIF 3/16 SS	.1900	.312	.250	.306	.625	1.062	1.375	.562	.406	.312	.312	.187	.4375	.1900 UNF-32	614	226	14
PIF 1/4 SS	.2500	.375	.281	.355	.750	1.312	1.687	.750	.468	.375	.375	.187	.5156	.2500 UNF-28	691	272	23
PIF 5/16 SS	.3125	.437	.344	.447	.875	1.375	1.812	.750	.500	.437	.437	.187	.6250	.3125 UNF-24	952	419	37
PIF 3/8 SS	.3750	.500	.406	.517	1.000	1.625	2.125	.937	.687	.562	.500	.250	.7187	.3750 UNF-24	1315	612	59
PIF 7/16 SS	.4375	.562	.437	.586	1.125	1.812	2.375	1.062	.750	.625	.562	.250	.8125	.4375 UNF-20	1632	793	82
PIF 1/2 SS	.5000	.625	.500	.698	1.312	2.125	2.781	1.187	.875	.750	.625	.250	.937	.5000 UNF-20	2041	1020	132
PIF 5/8 SS	.6250	.750	.562	.839	1.500	2.500	3.250	1.500	1.000	.875	.750	.312	1.125	.6250 UNF-18	2449	1270	191
PIF 3/4 SS	.7500	.875	.687	.978	1.750	2.875	3.750	1.750	1.125	1.000	.875	.312	1.312	.7500 UNF-16	3447	1859	286

For left hand thread add "L" to Part No. eg. PIF 3/16 L SS

HEC Engineering Components Limited

Tel: 0086-571-28809660

Fax: 0086-571-28809669

Website: www.hzhec.com

E-mail: hecsales@vip.163.com