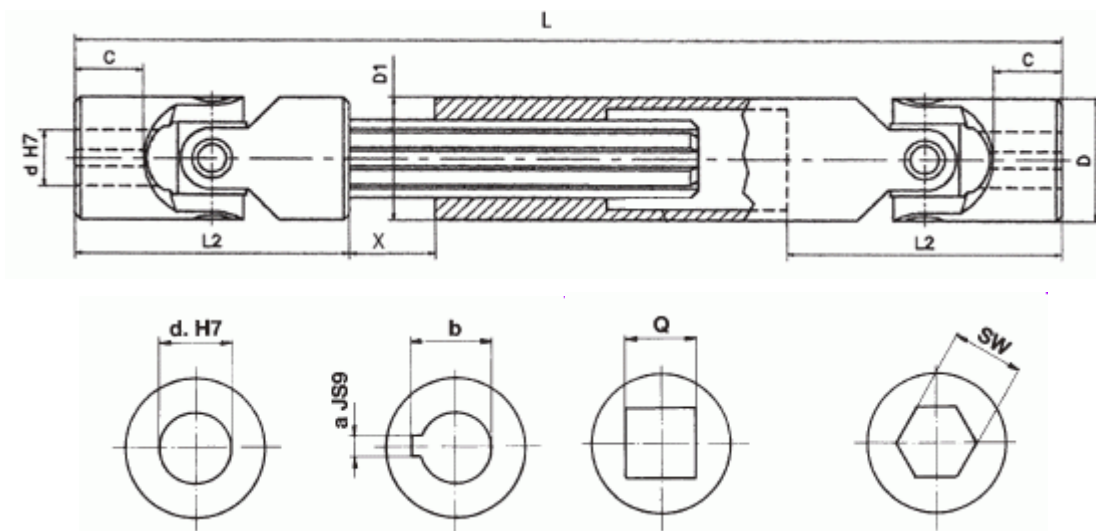
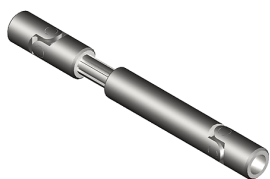




## Universal Joint (Telescopic), Needle bearings, Heavy Duty, Series H, DIN808-G, Maintenance free



Order no.	d (mm)	D (mm)	L2 (mm)	C (mm)	Lmin (mm)	Lmax (mm)	X (mm)	B (mm)	a (mm)	b (mm)	Q (mm)	SW (mm)	Spline shaft profile	D1 (mm)
03HA	10	22	48	12	563	1000	437	30	3	11.4	10	10	6 x 11 x 14	22
04HA	12	25	56	13	576	1000	424	40	4	13.8	12	12	6 x 13 x 16	26
05HA	14	28	60	14	580	1000	420	40	5	16.3	14	14	6 x 13 x 16	29
1HA	16	32	68	16	588	1000	412	40	5	18.3	16	16	6 x 16 x 20	32
2HA	18	36	74	17	594	1000	406	40	6	20.8	18	18	6 x 18 x 22	37
3HA	20	42	82	18	604.5	1000	395.5	45	6	22.8	20	20	6 x 21 x 25	42
4HA	22	45	95	22	617.5	1000	382.5	45	6	24.8	22	22	6 x 23 x 28	47
5HA	25	50	108	26	630.5	1000	369.5	45	8	28.3	25	25	6 x 26 x 32	52
6HA	30	58	122	29	647	1000	353	50	8	33.3	30	30	8 x 32 x 38	58
7HA	35	70	140	35	675	1000	325	70	10	38.3	-	-	8 x 36 x 42	70
8HA	40	80	160	39	700	1000	300	80	12	43.3	-	-	8 x 42 x 48	80
9HA	50	95	190	46	735	1000	265	90	14	53.8	-	-	8 x 46 x 54	95

### HEC Engineering Components Limited

Tel: 0086-571-28809660 Fax: 0086-571-28809669  
 Website: www.hzhec.com E-mail: hecsales@vip.163.com